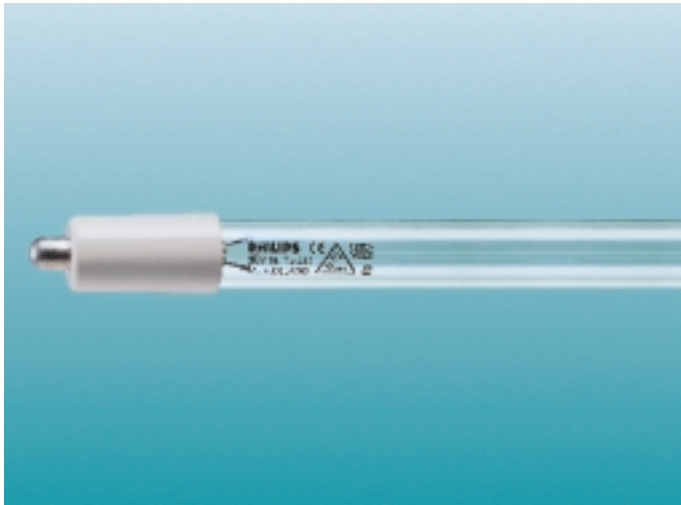


# Special fluorescent lamps

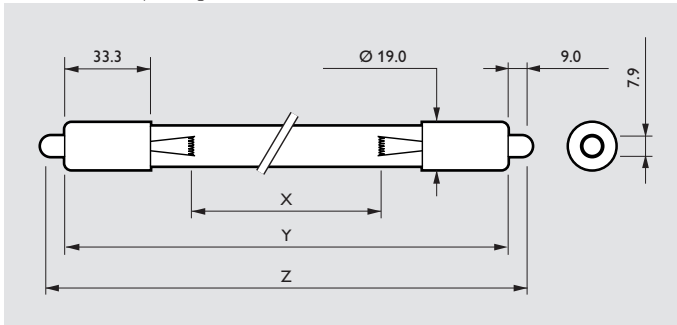
# Disinfection (T5)



TUV 36/64 T5 single-pin



TUV 36/64 T5 4-pin, single-ended



Dimensions in mm

Type	X	Y	Z
Cap/base single-pin			
TUV 36T5 SP	762	842.4±3.0	860.4±3.5
TUV 64T5 SP	1473	1553.6±3.0	1571.6±3.5

TUV T5 disinfection lamps are low-pressure mercury vapour lamps consisting of a tubular glass envelope, emitting short-wave UV radiation with a radiation peak at 253.7 nm (UV-C) for germicidal action.

The glass absorbs the 185 nm ozone-forming line. A protective coating on the inside of the tube limits the depreciation of useful UV-C radiation. Philips Lighting's coated soft glass technology gives the following benefits:

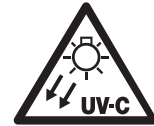
- unparalleled end-of-life UV-C output
- constant performance over 9000 hrs useful life
- No ozone generation

- An ultra-low mercury content of 5.5 mg Hg
- Ultem\* high-temperature and UV-resistant lamp bases.

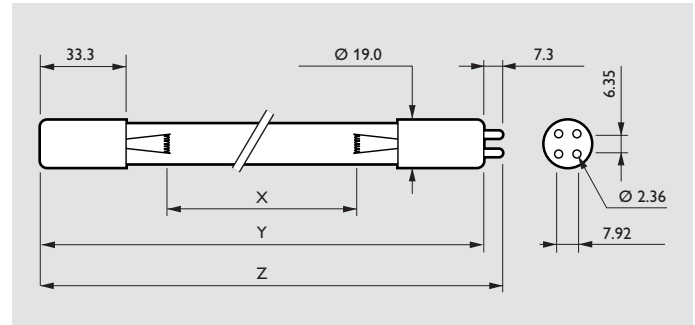
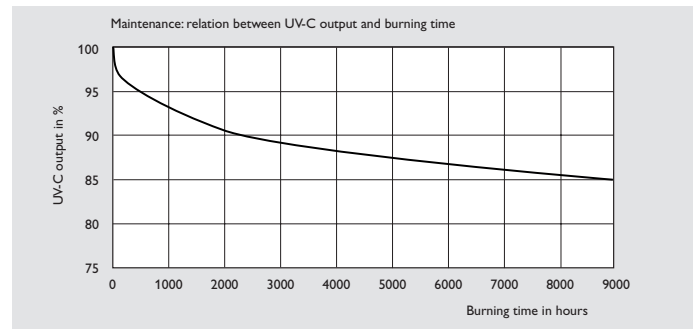
\* Ultem is a G.E. trademark

### Note

The UV-C radiation output of these lamps is indicated by the following warning sign.



Radiation of these lamps is harmful to eyes and skin. Installations with these lamps are to be screened off completely.



Type	X	Y	Z
Cap/base 4-pin, single-ended			
TUV 36T5 4P-SE	762	842.4±3.0	849.5±3.5
TUV 64T5 4P-SE	1473	1553.6±3.0	1561.0±3.5
TUV 11W 4P-SE	161	241.1±3.0	248.4±3.5
TUV 16W 4P-SE	237	317.3±3.0	324.6±3.5

Type	Cap/base	Lamp diameter mm	Lamp voltage V	Lamp current mA	Lamp wattage W	UV-C 100h W	Maintenance 9000h %	Useful life h	Ordering number	EOC
TUV 36T5 SP	single-pin	16	94 <sup>1)</sup>	425 <sup>1)</sup>	40 <sup>1)</sup>	15	85	9000	9279 700 04000	640369
TUV 64T5 SP	single-pin	16	176 <sup>1)</sup>	425 <sup>1)</sup>	75 <sup>1)</sup>	31	85	9000	9279 705 04000	640796
TUV 36T5 4P-SE	4-pin single-ended	16	94 <sup>1)</sup>	425 <sup>1)</sup>	40 <sup>1)</sup>	15	85	9000	9279 702 04000	642318
TUV 64T5 4P-SE	4-pin single-ended	16	176 <sup>1)</sup>	425 <sup>1)</sup>	75 <sup>1)</sup>	31	85	9000	9279 707 04000	642325
TUV 11W 4P-SE	4-pin single-ended	16	37 <sup>2)</sup>	330 <sup>2)</sup>	11 <sup>2)</sup>	2.1	75	9000	9279 712 04000	-
TUV 16W 4P-SE	4-pin single-ended	16	46 <sup>2)</sup>	350 <sup>2)</sup>	13 <sup>2)</sup>	3.4	75	9000	9279 714 04000	-

<sup>1)</sup> 25 kHz HF

<sup>2)</sup> 50 Hz



**PHILIPS**